

Sea cranes

made in Denmark



 DANSK KVALITET

- ✓ STABILITET
- ✓ SIKKERHED
- ✓ VEJRBESTANDIG
- ✓ FLEXIBEL SUPPORT

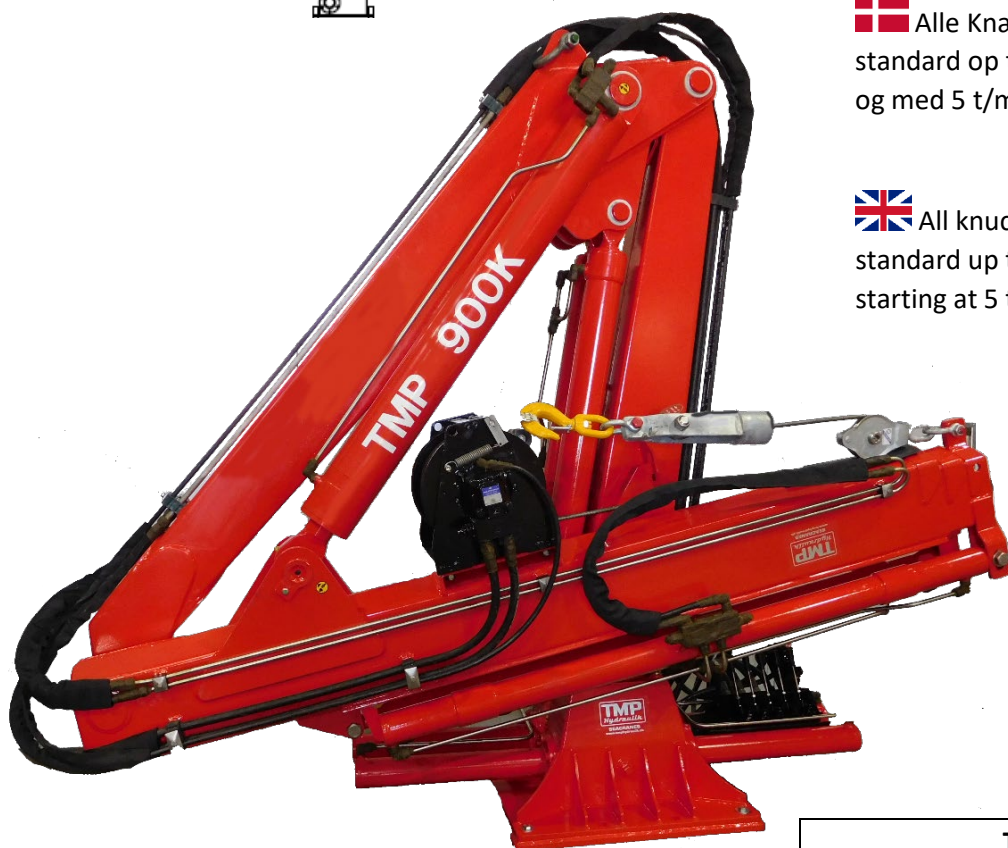
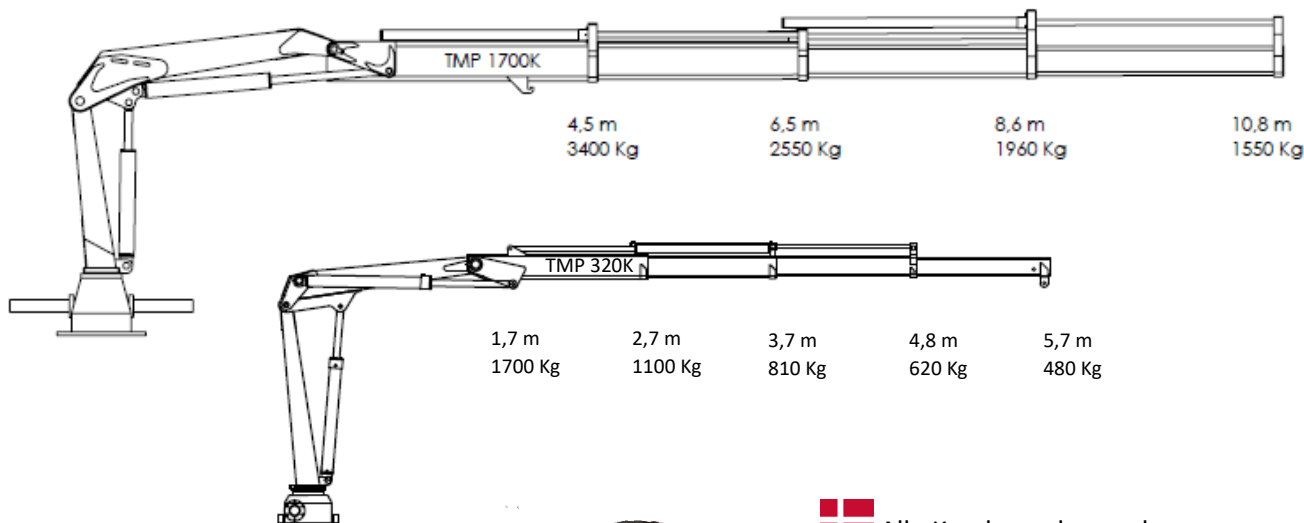
 DANISH QUALITY


- ✓ STABILITY
- ✓ SECURITY
- ✓ WEATHER-RESISTANT
- ✓ FLEXIBLE SUPPORT


TMP
Hydraulik


Knækarms kraner


Knuckle boom cranes



 Alle Knækarmskraner leveres som standard op til 5 t/m med manuelt udskud, fra og med 5 t/m er det tilkøb.

 All knuckle boom cranes are delivered as standard up to 5 t/m with manual extension, starting at 5 t/m is it by purchase.

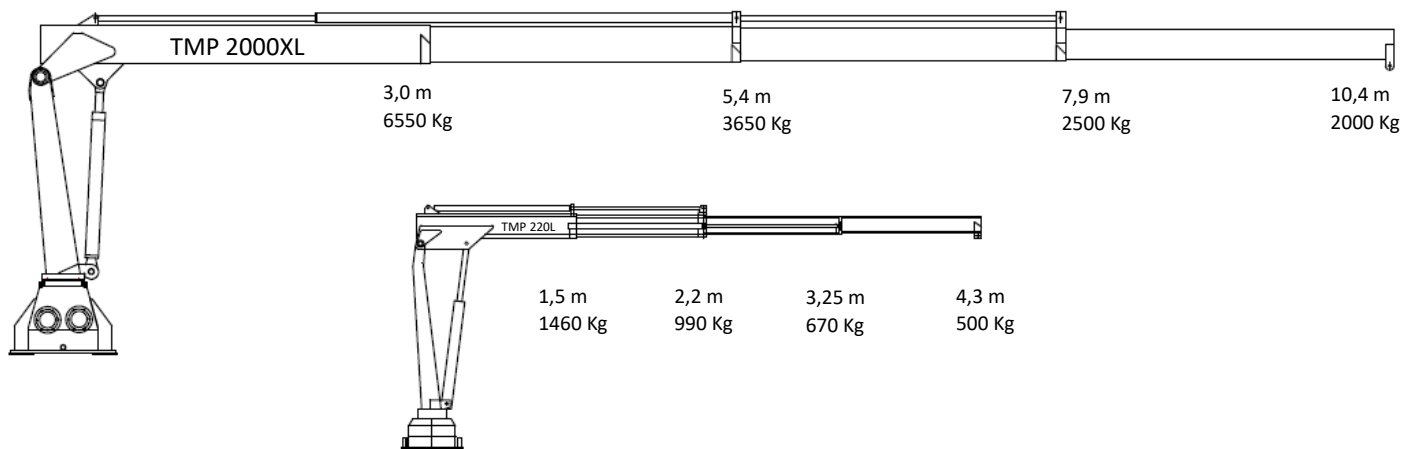
 Alle vores kraner kan leveres med op til 4 hydrauliske udskud, hvor 2 er standard. Kontakt os på mail tmp@tmphydraulik.dk for yderligere information.

 All our cranes can be supplied with up to 4 hydraulic extensions, 2 is standard. Contact us at tmp@tmphydraulik.dk for further information.

TMP Hydraulik A/S Knækarms kraner - Knuckle boom cranes		
Model	Hydraulic Reach and lift	Manually Reach and lift
320K	4,80 m / 620 Kg	6,0 m / 470 Kg
520K	5,9m / 815 Kg	7,3m / 640 Kg
700K	7,65 m / 900 Kg	9,2 m / 740 Kg
900K	7,65 m / 1100 Kg	9,2 m / 900 Kg
1320K	8,7 m / 1400 Kg	10,8 m / 1100 Kg
1700K	8,3 m / 1960 Kg	10,3 m / 1550 Kg

Ligearms kraner

Telescopic cranes



Besøg vores hjemmeside www.tmphdraulik.dk. Her finder du billeder af vores mange kraner.

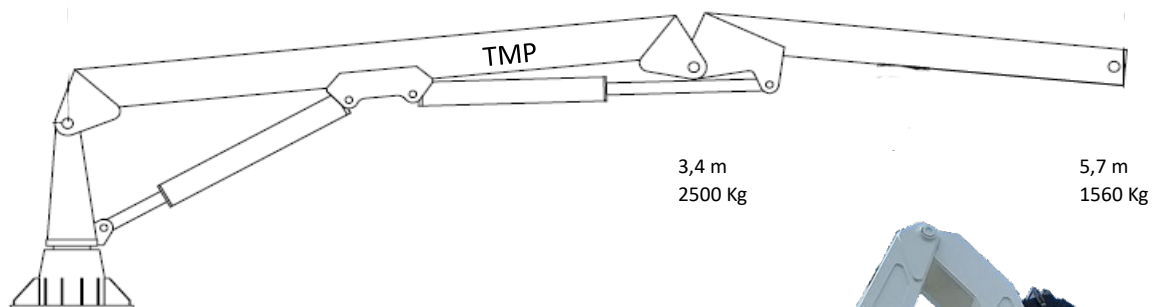



Visit our website www.tmphdraulik.dk. There you will find pictures of our many cranes.


TMP Hydraulik A/S Ligearms kraner - Telescopic cranes		
Model	Hydraulic Reach and lift	Manually Reach and lift
220L	3,3 m / 670 Kg	4,3 m / 500 Kg
300L	3,5 m / 830 Kg	4,8 m / 580 Kg
500L	4,6 m / 1090 Kg	6,1 m / 820 Kg
700L	5,5 m / 1250 kg	7,1 m / 1050 Kg
900L	5,5 m / 1600 Kg	7,1 m / 1250 Kg
1300L	6,5 m / 2000 Kg	8,5 m / 1500 Kg
1700L	6,5 m / 2600 Kg	8,5 m / 2000 Kg
2000L	6,5 m / 3000 Kg	8,5 m / 2250 Kg
700XL	7,9 m / 855 Kg	10,4 m / 650 Kg
900XL	7,9 m / 1140 Kg	10,4 m / 865 Kg
1300XL	7,9 m / 1600 Kg	10,4 m / 1200 Kg
1700XL	7,9 m / 2100 Kg	10,4 m / 1600 Kg
2000XL	7,9 m / 2500 Kg	10,3 m / 2000 Kg

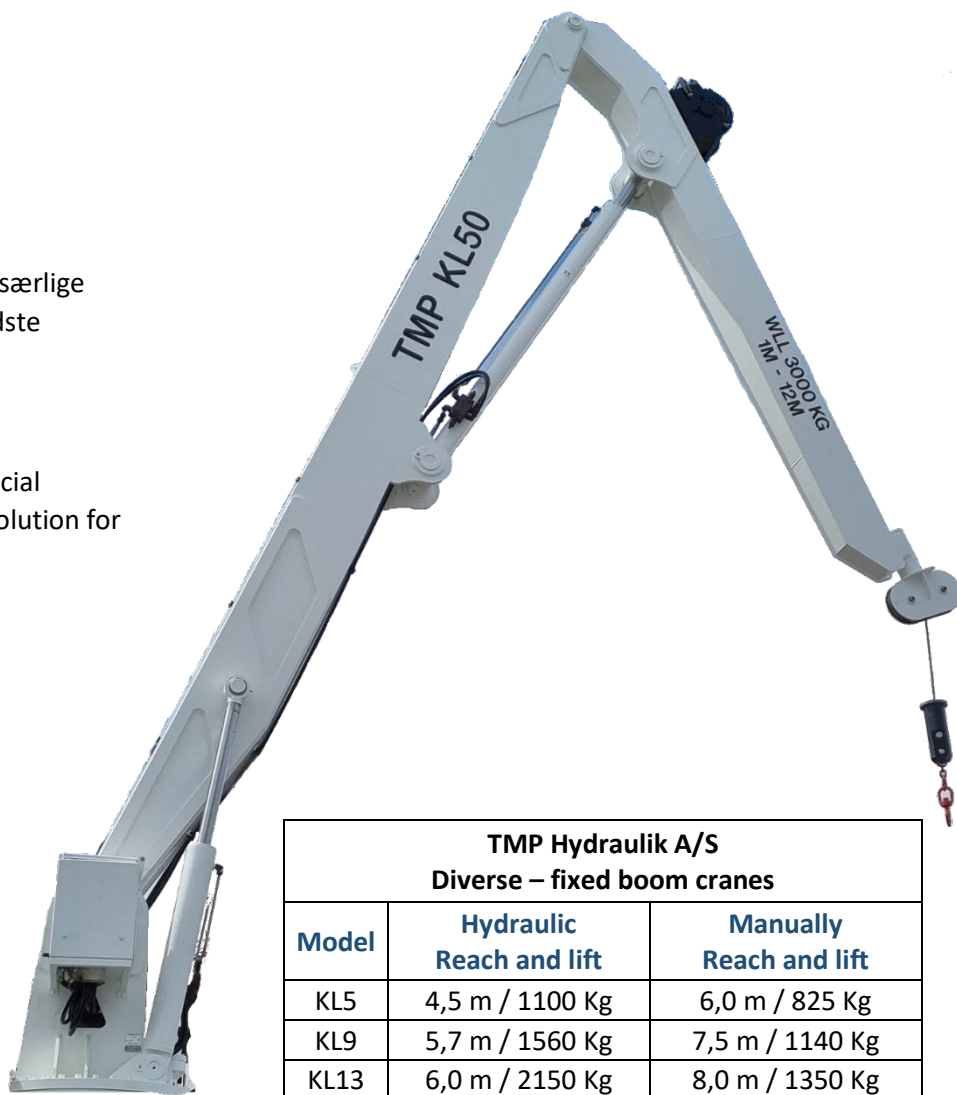
Andre TMP kraner

Other TMP cranes



 Kontakt os ved spørgsmål eller særlige ønsker, så finder vi sammen den bedste løsning, til lige netop dit ønske.

 Contact us for questions or special requests, and we will find the best solution for you.



TMP Hydraulik A/S Diverse – fixed boom cranes		
Model	Hydraulic Reach and lift	Manually Reach and lift
KL5	4,5 m / 1100 Kg	6,0 m / 825 Kg
KL9	5,7 m / 1560 Kg	7,5 m / 1140 Kg
KL13	6,0 m / 2150 Kg	8,0 m / 1350 Kg
KL50	12m / 3000 Kg	-
220LS	4,0 m / 550 Kg	-
300LS	6,0 m / 490 Kg	-
500LS	6,0 m / 800 Kg	-
700LS	7,5 m / 1000 Kg	-
900LS	7,5 m / 1280 Kg	-
1300LS	9,0 m / 1440 Kg	-
1700LS	9,0 m / 1880 Kg	-
2000LS	9,0 m / 2000 Kg	-
4000LS	7,5 m / 6000 Kg	-


Tilbehør til kraner


Accessories for cranes




Winch range	Winch model	Line pull 1st Layer kg	Drum Diameter mm	Cable Diameter mm	Drum capacity m	Line Speed m/min	Oil flow l/min	Working Pressure bar
MW	09	1000	167	8	50	38	40	175
MW	18	2000	202	10	53	34	50	200
MW	22	2500	243	12	54	29	50	205




 Vi fremstiller også aluminiumskasser til beskyttelse af manøvreventil.

 We also manufacture aluminum boxes to protect the control valve.



 TMP marine kraner leveres i størrelser fra 2,2 t/m og op til 40t/m. Kranerne er sandblæst, metalliseret og malet med 2-komponent maling, som giver maksimal beskyttelse. Stempelstænger, bolte, rør er lavet i rustfast stål. Fundament og sving er fyldt med olie for at hindre vand og korrosion. Alle koblinger er som standard belagt med korrosionsbeskyttende tape, men kan special bestilles med rustfaste koblinger. Alle kraner kan leveres med fjernstyring. Større kraner kan leveres på forespørgsel.

 TMP marine cranes are provided in sizes from 2.2 t/m and up to 40t/m. The cranes are sandblasted, metallized and painted with 2-component paint, which provides maximum protection. Piston rods, bolts, pipes are made of stainless steel. The base and swing are filled with oil to prevent water and corrosion. All couplings are standard coated with anticorrosive tape but can be specially ordered with stainless steel couplings. All cranes can be supplied with remote control. Larger cranes can be supplied on request

Fremstillet i overensstemmelse med:

- *Maskindirektivet 2006/42/EF*
- *DS/EN 13001-3-1*
- *EN 13852-1*

Manufactured according to:

- *The Machinery Directive 2006/42 / EC*
- *DS/EN 13001-3-1*
- *EN 13852-1*

TMP Hydraulik A/S
Suurkjærvej 9
7790 Thyholm
Denmark
+45 97 87 19 00
tmp@tmphydraulik.dk
www.tmphydraulik.dk

