

---

**71** % OF   
**OUR**  
IS COVERED BY **WATER**.  
WE WANT EVERYONE TO  
**MAKE THE MOST OF IT.**

---



**SEAKEEPER INC.**

Corporate Headquarters  
+1-410-326-1590  
45310 Abell House Lane, Suite 350  
California, MD 20619

Technical Support 24/7 Hotline  
+1-240-718-6440

[seakeeper.com](http://seakeeper.com)

©2022 Seakeeper Inc.



SEAK196



## IT DOES WHAT?

That's right, Seakeeper eliminates up to 95% of boat roll. Gone are the days of seasick guests, sea legs and spilled drinks. Seakeeper ensures every day on the boat is a comfortable one.

# ELIMINATE BOAT ROLL.

Azimut 51 Atlantis with a Seakeeper 6



## OFTEN IMITATED, NEVER DUPLICATED

We are experts in marine stabilization, and it's not just one of many things we do—it's the only thing we do.

We are focused solely on making everyone's time on the water safer and more enjoyable. Whether you have a small boat or a mega-yacht, Seakeeper is the only true stabilization choice.

# STABILIZATION FOR SMALLER BOATS

From day one our focus has been on making stabilization a reality for every boater. Now, boats as small as 23 feet (7 meters) can have the stabilizing power of Seakeeper.



Sea Hunt Gamefish 30 with a Seakeeper 2



**SMALLER  
BOATS  
NEED A  
SMALLER  
SEAKEEPER  
WITH A  
SMALLER  
PRICE**



Visit [seakeeper.com/performance](https://seakeeper.com/performance) to view the full library of sea trials and database of boats we have already stabilized.



Tiara Sport 34 LS  
with a Seakeeper 2

#### REFITS

## HAVE AN EXISTING BOAT?

If you're not in the market for a new boat, you can still have the latest technology available. With more than 4,000 refits under our belt, we can confidently say that most boats can be refit with a Seakeeper! They can fit anywhere there is available space, and don't need to be installed on the centerline. View the database of refits we have already performed at [seakeeper.com/refit](http://seakeeper.com/refit).

#### NEW BUILD

## BUYING A NEW BOAT?

As Seakeeper becomes a must-have item on all boats, more and more manufacturers are installing them at the factory every day. New boat owners now have the benefit of thoughtful installation right from the boat's initial design. View the complete list of builders offering Seakeeper at [seakeeper.com/standard](http://seakeeper.com/standard).



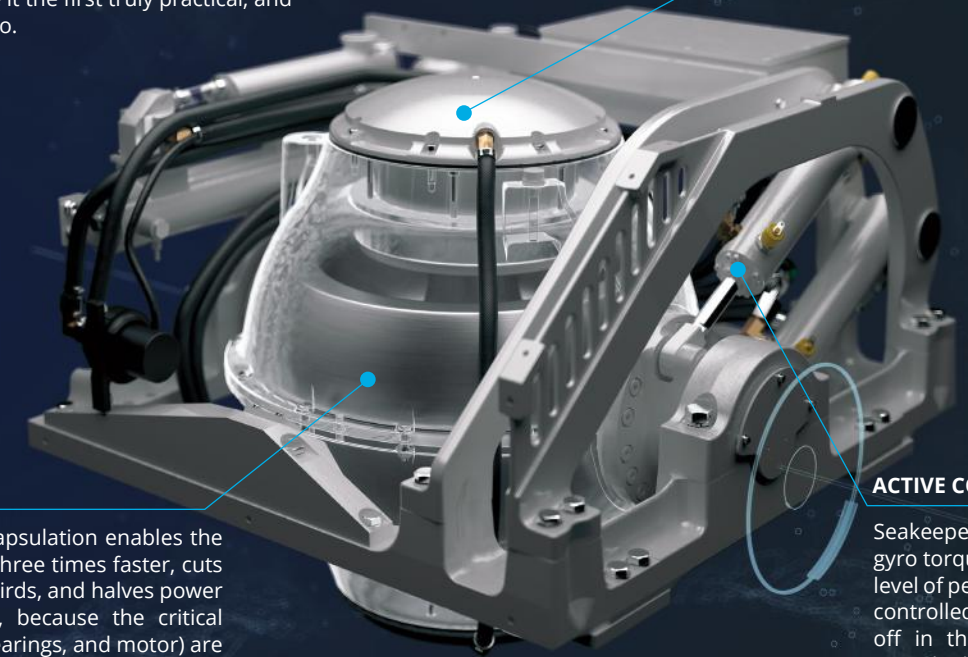
## HOW IT WORKS

Inside a vacuum encapsulation, a flywheel spins at speeds of up to 9,750 rpm. When the boat rolls, the sphere tilts fore and aft (precesses), producing a powerful gyroscopic torque to port and starboard that counteracts the boat roll.



## BUILT TO PERFORM

The Seakeeper is designed to virtually eliminate boat roll on vessels 23 feet and up. It requires modest electrical power, has no outside appendages, and can be installed virtually anywhere on board. Its computerized control and vacuum technology make it the first truly practical, and only modern, anti-roll gyro.



### VACUUM SEALED

Seakeeper's vacuum encapsulation enables the flywheel to spin roughly three times faster, cuts flywheel weight by two-thirds, and halves power requirements. Moreover, because the critical components (flywheel, bearings, and motor) are sealed in a vacuum, they are isolated from the marine environment.

### INNOVATIVE COOLING SYSTEM

Patented cooling system enables the flywheel to spin at high speeds inside of the vacuum containment.

### ACTIVE CONTROL

Seakeeper's active control optimizes gyro torque, providing an unsurpassed level of performance. Unlike a passively controlled gyro, which must be turned off in the roughest conditions and/or at higher speeds, the Seakeeper is effective at all speeds and can be used in all sea conditions.

# CAN WE STABILIZE ANY BOAT? HULL YEAH, WE CAN.



## LEISURE

Kick back, enjoy the wind in your hair and shake up an evening cocktail—Seakeeper makes your cruise comfortable.



## COMMERCIAL

What happens when your crew can safely spend more time on the water and go out when others can't? More success and more profit.



## FISHING

From tournaments to family time, backing down on the big one or reeling in dinner, there's a Seakeeper for your center console or sportfish boat.



## YACHT

Ultimate luxury deserves the best in stabilization. Your guests will notice there's something special about your yacht. And there's one for your tender, too.

## AND JUST IN CASE YOU'RE WONDERING...



### LIGHTWEIGHT

Seakeeper weighs a small fraction of the vessel displacement.



### LOW POWER CONSUMPTION

Due to its vacuum encapsulation, Seakeeper requires minimal power. Select Seakeeper models even run off 12V DC power.



### QUICK & SIMPLE INSTALL

Can be installed in as little as 1-3 weeks. For smaller boats, a unique leaning post design enables a retrofit to be done in a matter of days!



### FLEXIBLE

It can be installed virtually anywhere on the boat and any combination of units can be used to reach targeted performance.



### INCREASED RESALE VALUE

Boats with a Seakeeper resell faster, and for more money, than boats without.



### INTERNAL

No external appendages and completely self-contained, which means no drag and no hull modifications.



### NEVER TURN IT OFF

Thanks to the smart technology of active control, it can be used at rest and underway in all sea conditions.



### QUIET

With all Seakeeper models operating between 68 and 75 dBC, you won't be bothered by any noise.

INTRODUCING THE

# SEAKEEPER 1

To bring stabilization to boats as small as 23 feet, we knew we had to break the mold. The new Seakeeper 1 features a flush mount design for easier installation, runs exclusively on 12V DC power, and can be installed virtually anywhere on board.

**~23-30** ft  
boats

**365** lbs  
our lightest  
model ever!

**15** min  
from spool up  
to stabilization

**SMALL**  
22.9" L  
23.6" W  
15.7" H



Regal LX6 with a Seakeeper 1



**SAME POWER DRAW  
AS YOUR STEREO  
CRANKED UP**

**CONTROL  
FROM HERE  
OR THE HELM**





## INTUITIVE DASHBOARD DISPLAY

An intuitive operator interface allows you to simply turn it on and forget about it. There are no complex settings or adjustments for the operator. Seakeeper does all of this automatically, you simply enjoy. With the option to use our 5-inch display or integrate with your current electronics, make your helm, your own.



## EXTREMELY SMALL

A Seakeeper 1 in a 25-foot center console is shown here to scale.





SMALL BOAT SIZING GUIDE

# WHICH SEAKEEPER IS RIGHT FOR YOU?

No one knows more about how you boat than you! Check out our Small Boat Sizing Guide, enter your boat information and we will guide you through the options so you can decide which Seakeeper is right for you.

[seakeeper.com/sizing-guide](http://seakeeper.com/sizing-guide)

Boston Whaler 380 Outrage with a Seakeeper 6

## SEAKEEPER STATS

Designed for optimal performance in recreational applications, our smallest models run solely on DC battery power. No generator needed!



View Product Pricing at [seakeeper.com/products](http://seakeeper.com/products)



**SEAKEEPER 1**

~23-30' (7 - 9 meters)  
up to ~5.5 tons



**SEAKEEPER 2**

~31-35' (9 - 10.5 meters)  
up to ~7.5 tons



**SEAKEEPER 3**

~36-39' (10.5 - 12 meters)  
up to ~10.5 tons

<b>Dimensions</b>	22.9 L x 23.6 W x 15.7 H (inches) 0.582 L x 0.598 W x 0.398 H (m)	25.5 L x 24.8 W x 20.0 H (inches) 0.648 L x 0.630 W x 0.508 (m)	26.8 L x 27.0 W x 23.3 H (inches) 0.680 L x 0.685 W x 0.592 H (m)
<b>Weight</b>	365 lbs (165 kg)	414 lbs (188 kg)	550 lbs (249 kg)
<b>Max Rated Speed</b>	9,750 RPM	9,000 RPM	8,450 RPM
<b>Angular Momentum at Max Rated RPM</b>	1,000 N-M-S	2,000 N-M-S	3,000 N-M-S
<b>Anti-Rolling Torque at Max Rated RPM</b>	2,620 N-M	5,249 N-M	7,854 N-M
<b>Spool-up Time to Max Rated RPM*</b>	30 minutes (9,750 RPM)	35 minutes (9,000 RPM)	50 minutes (8,450 RPM)
<b>Spool-up Time to Stabilization*</b>	15 minutes (7,310 RPM)	24 minutes (7,650 RPM)	36 minutes (7,185 RPM)
<b>Spool-up Power</b>	600 Watts Max	850 Watts Max	900 Watts Max
<b>Operating Power</b>	300 - 600 Watts	300 - 650 Watts	400 - 750 Watts
DC Power Input	12 VDC @ 25-55 Amps	12 VDC @ 20-75 Amps	12 VDC @ 33-85 Amps
<b>Control Power</b>	N/A	125 Watts	125 Watts
Control Power Input	N/A	12 VDC @10 Amps	12 VDC @ 10 Amps

\*Spool-up times may vary depending on operating conditions.

# SEAKEEPER STATS



View Product Pricing at [seakeeper.com/products](https://seakeeper.com/products)



**SEAKEEPER 5**

~40-45' (12 - 14 meters)  
up to ~20 tons



**SEAKEEPER 6**

~46-52' (14 - 16 meters)  
up to ~24 tons



**SEAKEEPER 9**

~50-59' (15.5 - 18 meters)  
up to ~30 tons



**SEAKEEPER 16**

~60-69' (18 - 21 meters)  
up to ~50 tons



**SEAKEEPER 18**

~65-75' (20 - 23 meters)  
up to ~56 tons



**SEAKEEPER 26**

~70-84' (21 - 25.5 meters)  
up to ~75 tons



**SEAKEEPER 35**

>85' (26 meters)  
up to ~100 tons

	SEAKEEPER 5	SEAKEEPER 6	SEAKEEPER 9	SEAKEEPER 16	SEAKEEPER 18	SEAKEEPER 26	SEAKEEPER 35
<b>Dimensions</b>	29.8 L x 29.7 W x 24.7 H (inches) 0.756 L x 0.755 W x 0.626 H (m)	29.8 L x 29.7 W x 24.7 H (inches) 0.756 L x 0.755 W x 0.626 H (m)	33.5 L x 35.6 W x 27.9 H (inches) 0.852 L x 0.903 W x 0.708 H (m)	42.1 L x 43.1 W x 33.6 H (inches) 1.069 L x 1.096 W x 0.854 H (m)	42.6 L x 43.2 W x 32.9 H (inches) 1.08 L x 1.10 W x 0.84 H (m)	52.7 L x 55.9 W x 40.4 H (inches) 1.338 L x 1.419 W x 1.023 H (m)	52.8 L x 55.9 W x 42.4 H (inches) 1.342 L x 1.419 W x 1.076 H (m)
<b>Weight</b>	870 lbs (395 kg)	870 lbs (395 kg)	1,210 lbs (550 kg)	2,270 lbs (1,030 kg)	2,460 lbs (1,116 kg)	3,155 lbs (1,431 kg)	3,920 lbs (1,778 kg)
<b>Max Rated Speed</b>	8,100 RPM	9,700 RPM	9,000 RPM	6,130 RPM	6,150 RPM	5,000 RPM	5,150 RPM
<b>Angular Momentum at Max Rated RPM</b>	5,000 N-M-S	6,000 N-M-S	9,000 N-M-S	16,000 N-M-S	18,000 N-M-S	26,000 N-M-S	35,000 N-M-S
<b>Anti-Rolling Torque at Max Rated RPM</b>	13,075 N-M	15,690 N-M	18,810 N-M	30,720 N-M	34,980 N-M	56,000 N-M	73,000 N-M
<b>Spool-up Time to Max Rated RPM*</b>	27 minutes (8,100 RPM)	42 minutes (9,700 RPM)	55 minutes (9,000 RPM)	40 minutes (6,130 RPM)	45 minutes (6,150 RPM)	90 minutes (5,000 RPM)	88 minutes (5,150 RPM)
<b>Spool-up Time to Stabilization*</b>	20 minutes (6,885 RPM)	28 minutes (7,700 RPM)	38 minutes (7,650 RPM)	30 minutes (5,210 RPM)	32 minutes (5,230 RPM)	70 minutes (4,250 RPM)	64 minutes (4,380 RPM)
<b>Spool-up Power</b>	2,300 Watts	2,300 Watts	3,000 Watts	3,700 Watts	3,700 Watts	3,000 Watts	5,000 Watts
<b>Operating Power</b>	1,050 - 2,300 Watts	1,050 - 2,300 Watts	1,000 - 2,000 Watts	2,300 - 3,700 Watts	1,200 - 3,700 Watts	1,000 - 3,000 Watts	2,000 - 5,000 Watts
AC Power Input	110 or 220 VAC (+/- 10%), 50/60 Hz	110 or 220 VAC (+/- 10%), 50/60 Hz	220 VAC (+/- 10%), 50/60 Hz	220 VAC (+/- 10%), 50/60 Hz	208-230 VAC (+/- 10%), 50/60 Hz	220 VAC (+/- 10%), 50/60 Hz	220 VAC (+/- 10%), 50/60 Hz
<b>Control Power</b>	125 Watts	125 Watts	240 Watts	240 Watts	240 Watts	240 Watts	240 Watts
Control Power Input	12 VDC @ 10 Amps	12 VDC @ 10 Amps	24 VDC @ 10 Amps	24 VDC @ 10 Amps	24 VDC @ 10 Amps	24 VDC @ 10 Amps	24 VDC @ 10 Amps

\*Spool-up times may vary depending on operating conditions.

# STUFF HAPPENS!

But that's why you have a warranty

All of Seakeeper's products come with a two-year/2,000-hour complete system warranty.

View warranty details at:  
[seakeeper.com/warranty](http://seakeeper.com/warranty)



## Register Your Seakeeper for Greater Rewards

The first step to taking full advantage of any of our fabulous after-sales programs is registering your Seakeeper!

Register your Seakeeper at [seakeeper.com/register](http://seakeeper.com/register)

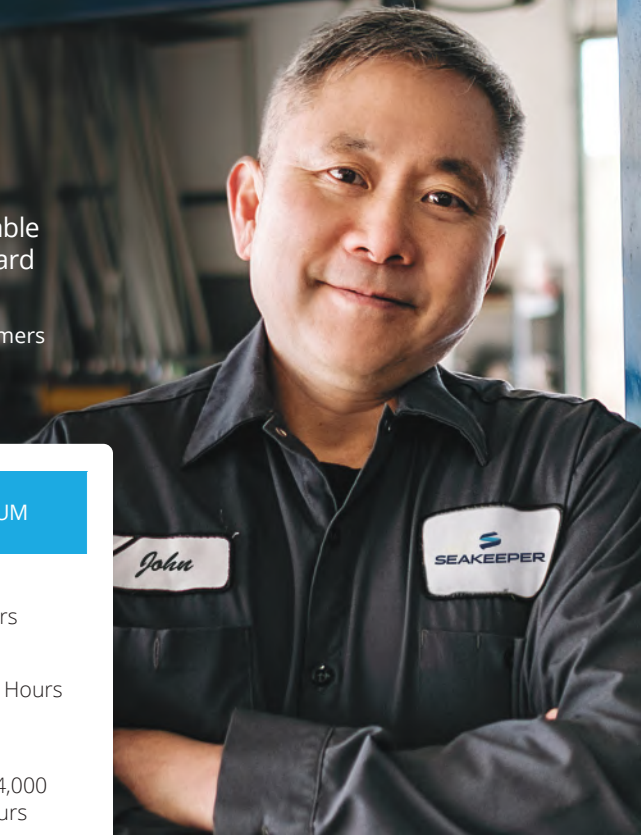
# SEAKEEPER EXTENDED WARRANTY

Our extended warranty program provides you with an added peace of mind and reliable service beyond the duration of your standard factory warranty.

Extended warranty coverage is available for customers currently within their factory warranty period.

	SILVER	GOLD	PLATINUM
Extended Duration	+2 years	+2 years	+3 years
Extended SEA Hours (Active Stabilization)	--	+1,000 SEA Hours	+2,000 SEA Hours
Total Coverage	4 years / 2,000 SEA Hours	4 years / 3,000 SEA Hours	5 years / 4,000 SEA Hours

View all pricing and full policies at [seakeeper.com/extended-warranty](http://seakeeper.com/extended-warranty).








## UNRIVALED SUPPORT

Our certified Dealers are ready to assist with all your service and refit needs around the world.



Interested in becoming a Dealer?

Learn more at [seakeeper.com/become-a-dealer](https://seakeeper.com/become-a-dealer)

-  Seakeeper Office Locations
-  Exclusive Distributors
-  Dealers

## A NETWORK THAT WORKS FOR YOU

With certified sales and service personnel across the globe, there's always a helping hand nearby when you need it. Whether you're considering a refit, scheduling annual maintenance or are experiencing a technical issue, Seakeeper's support network has you covered.



### TECHNICAL SUPPORT

+1-240-718-6440

[support@seakeeper.com](mailto:support@seakeeper.com)

We stand behind our product with a global support network and a 24/7 technical support hotline.



## MAINTENANCE MAKES THE MAGIC HAPPEN

All equipment needs a little regular care to keep it working in tip-top shape - even the magical kind like Seakeeper! Here's what we recommend keeping up with:

Brake System	Task	Running Hours	Period
Hydraulic Manifold Components & Fittings	Inspect	1000	Annually
Hydraulic Cylinders & Hoses	Inspect	1000	Annually
Hydraulic Accumulators	Replace	2000/As Needed	----
Hydraulic Oil	Flush & Bleed	1000	Annually
Brake Bushings	Inspect	1000	Annually
Brake Bushings	Replace	2000/As Needed	----
Seakeeper 1 Mechanical/Safety Latch Assembly	Inspect	1000	Annually
Seakeeper 1 Mechanical/Safety Latch Assembly	Replace	2000/As Needed	----
Cooling System			
Zinc Anode *N/A for Seakeeper 1, 2, 3	Inspect/Replace	150/As Needed	3 Months
Heat Exchanger	Inspect	1000	Annually
Heat Exchanger	Replace	2000/As Needed	----
Coolant Level - Glycol	Inspect/Fill	1000	Annually
Clean/Descale Heat Exchanger	Inspect/Clean	1000	Annually
Check Seawater Flow	Inspect	1000	Annually
Cooling Hoses	Inspect	1000	Annually
Cooling System Flush - Glycol	Inspect/Replace	1000	Annually
Electronics System			
Inspection of all electrical connections, cables, and components	Inspect	----	Annually
Mechanical & Foundation System			
Inspect all mounting hardware/bolts	Inspect	----	Annually
Inspect isolation bushings, pins, and clips	Inspect	----	Annually
Clevis assemblies (4), hardware, isolation bushings, pins & clips	Inspect	1000	Annually

Perform the Recommended Maintenance after the indicated number of Running [RUN] hours or MONTHS / YEARS since last maintenance, whichever occurs first. Seakeepers are designed for use in a marine environment and to withstand occasional water spray or splash. Prolonged exposure to seawater however can cause premature wear and damage to the unit, therefore it is important to apply a gentle fresh water rinse following exposure to seawater.

Recommended Maintenance should be performed by a certified Seakeeper Dealer or Seakeeper factory technician. Find a local Dealer at [www.seakeeper.com/find-us](http://www.seakeeper.com/find-us)

# ONCE YOU FEEL IT, YOU'LL NEVER BOAT WITHOUT IT.

We've heard thousands of "wows" as people have experienced Seakeeper for the first time. We have no doubt that you'll believe it too - once you feel it. So, what are you waiting for? Schedule your Seakeeper demo today!

VISIT  
**SEAKEEPER.COM**  
TO SCHEDULE A DEMO &  
FIND A SALES REP NEAR YOU

